

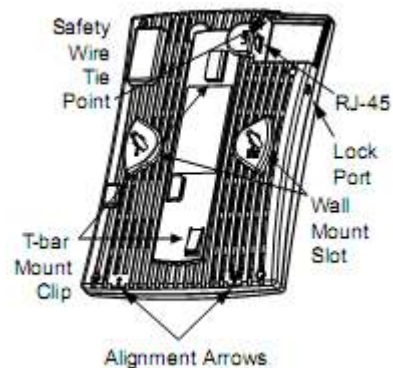


# emkat

empowering mobile solutions for business

## Installing the EKMount on a Motorola AP300 with integrated antenna:

1. Remove the 8 -32 bolts from the mounting plate.
2. Insert one 8 – 32 bolt into each “Wall Mount Slot” on the backside of the AP. See diagram:



3. Slide the bolt towards the outer edge of the AP.



4. Place one 8 – 32 washer on the bolt and lock the bolt into place with one 8 – 32 nut.



5. Once the bolts have been tightened into place in each “Wall Mount Slot” apply a second 8 – 32 nut to each bolt. This nut acts as a “spacer” between the backside of the access port and the mounting plate. Additionally, apply one more 8 – 32 washer to each nut.

6. Slide the mounting plate over the bolts accordingly.



7. Secure the mounting plate to the access port by adding an additional 8 – 32 washer to each 8-32 bolt and securely fastening the final 8 – 32 nuts. The AP300 with mounting bracket should appear as such:

